 For the following igus® series

E2.1

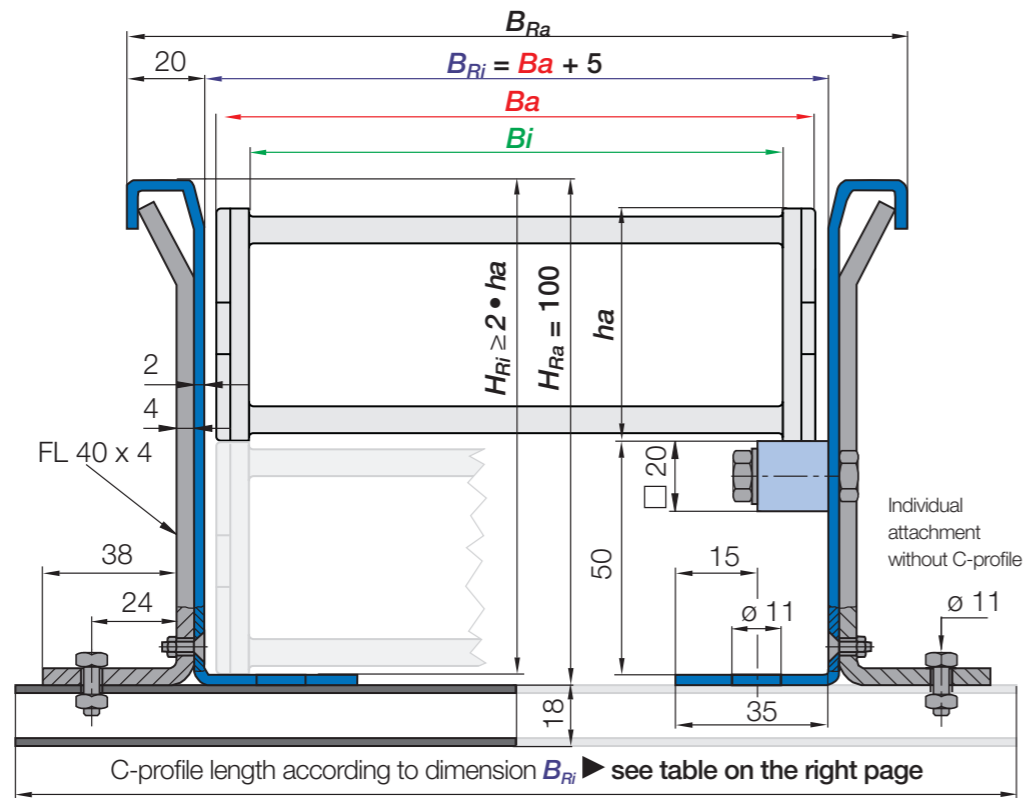
● E2.38

● E2/000

● 2700

● E2R

● R58



Note: The inner width of the guide trough and the C-profile length of the installation set can differ according to the mounting bracket you choose. Please call us.

Steel guide trough | Full set

Trough side parts	Part No.	Weight
Trough side part, without glide bar, 2m section	95.30.E ¹⁾ / E44 ²⁾ / E45 ³⁾	≈ 5.00kg
Trough side part, with glide bar, bolted, 2m section	95.31.E ¹⁾ / E44 ²⁾ / E45 ³⁾	≈ 6.00kg
Installation sets	Part No.	Weight
1 installation set without C-profile	95.50	≈ 0.41kg
1 installation set with C-profile (C-profile length according to dimension B_{Ri})	95.50.XXX*	upon request

*Please add the C-profile length **XXX** as shown on the tables on the right page. Example: 95.50.200

Steel guide trough | Components as individual parts

Individual parts, trough	Part No.	Weight
1 trough side part, individual, 2m section	95.11.E ¹⁾ / E44 ²⁾ / E45 ³⁾	≈ 5.00kg
1 glide bar, plastic, individual, 2m section	92.01	≈ 0.75kg
1 glide bar, individual, 2m section + 11 screw sets	92.20	≈ 0.98kg
1 package with 11 screw sets (for glide bar, 2m section)	92.21	≈ 0.23kg
Individual parts, installation set	Part No.	Weight
1 clamping bracket, individual	95.51	≈ 0.16kg
1 countersunk-head screw, individual	92.53 / M6 x 14	
1 hexagon nut, individual	92.54 / M6	
1 hexagon-head screw, individual	92.55 / M10 x 16	
1 glide nut, individual	92.56 / M10	
1 C-profile, individual (C-profile length according to dimension B_{Ri})	92.52.XXX*.E ¹⁾	≈ 0.90kg/m
Additional option for simple fixing of the e-chain® without drilling	Part No.	Weight
1 set fixed end module (more information ► Page 1240)	95.80.01	≈ 10.00kg

*Please add the C-profile length **XXX** as shown on the tables on the right page. Example: 95.52.200.E

1) Trough side parts + C-profile - also available in 304 stainless steel, material 1.4301 (AISI 304). Please add index **E** to the Part No.

2) Trough side parts - also available in 316 stainless steel, material 1.4404 (AISI 316L). Please add index **E44** to the Part No.

3) Trough side parts - also available in 316 stainless steel, material 1.4571 (AISI 316Ti). Please add index **E45** to the Part No.

E2.38			2700			R58		
Width index	B_{Ri} [mm]	Part No. Installation set	Width index	B_{Ri} [mm]	Part No. Installation set	Width index	B_{Ri} [mm]	Part No. Installation set
.50	71	95.50.200	.05	71	95.50.200	.050	71	95.50.200
.65	86	95.50.200	.06	86	95.50.200	.075	96	95.50.225
.75	96	95.50.225	.07	96	95.50.225	.100	121	95.50.250
.90	111	95.50.225	.09	111	95.50.225	.125	146	95.50.275
.100	121	95.50.250	.10	121	95.50.250	.150	171	95.50.300
.125	146	95.50.275	.12	146	95.50.275	.175	196	95.50.325
.150	171	95.50.300	.15	171	95.50.300	.200	221	95.50.350
.175	199	95.50.325	.17	199	95.50.325			



igus® steel guide trough used in a storage and retrieval system using series E2/000 and chainflex® cables